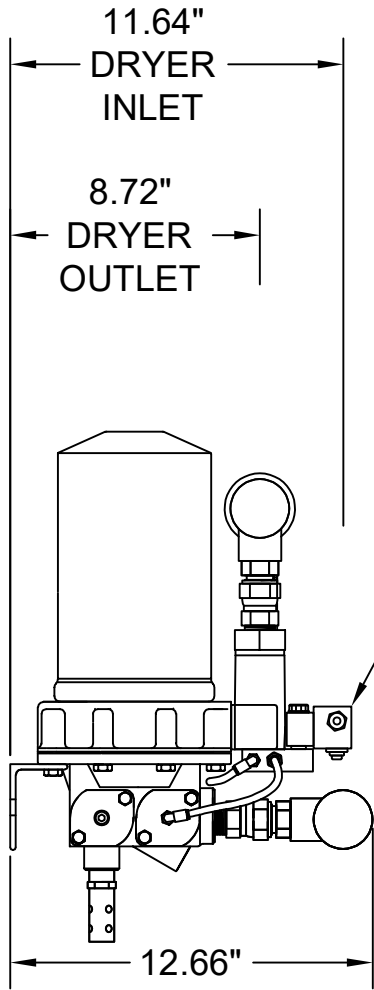
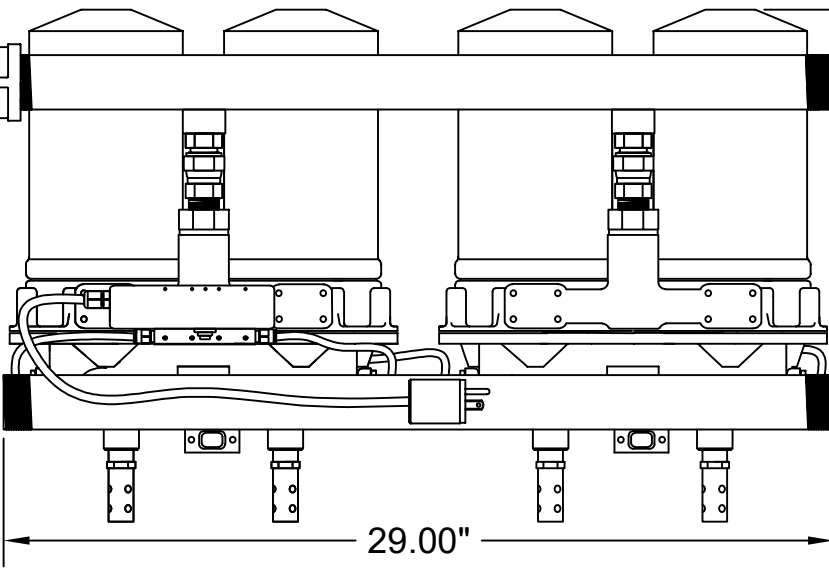


REVISIONS			
REV	DATE	DESCRIPTION	APPROVED



4 STACK PLC CONTROLLER



13.71"  
16" MIN CLEARANCE  
NEEDED TO REMOVE  
CANISTERS

11.17"  
1-1/2" MNPT  
DRYER OUTLET

0.00"  
1-1/2" MNPT  
DRYER INLET

1. 110VAC PLC CONTROL SYSTEM
2. 4-lb DESICCANT CANISTERS (WHITE, BLUE, GRAY AVAILABLE)
3. 1-1/2" MNPT INLET AND 1-1/2" FNPT OUTLET
4. RATED FOR 120 SCFM
5. FILTER DISCS
6. OPTIONAL HEATER (12V, 24V, 110V)
7. FLOOR MOUNTED, TABLE HEIGHT STAND AVAILABLE

**DRY-AIR  
SYSTEMS**

TITLE		<b>4 Stack with PLC</b>	
SIZE	DWG NO DD4-DP	DASH NO A	REV A
SCALE NONE	SHEET		