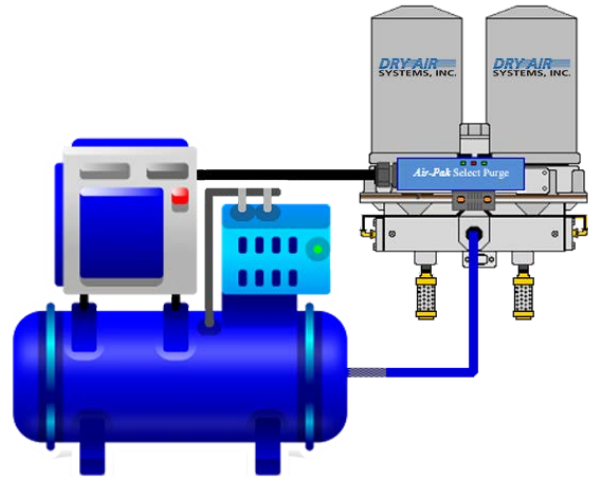


Air-Pak Select Purge Dryer

Air-Pak's Select Valve eliminates continuous purge cycles by operating in unison with compressor pumping cycles. It delivers specific amounts of purge air required for regeneration of molecular sieve featuring options for selecting length of purge time and number of purge cycles after compressor motor stops. Select Valves' Bluetooth technology informs user of service data and history of dryer.

Air-Pak Select Purge Valve:

- Regenerates only when air compressor pumping
- Won't drain air system over night
- May be installed on dryers currently in service
- May be purchased as an option for new dryer installation
- Remote installations e.g., paint booth
- Bluetooth technology tracks:
 - Number of dryer cycles
 - Service history
 - Sends text messages, e.g., check service
 - Test cycle
 - Offers regen select timed cycles
 - 90 second regen cycle for high flow demands
 - 120 second regen cycle for moderate flow demand
 - Timed Color Schematic

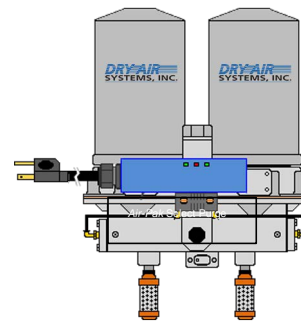


Cumulative Cycles

Cycles since last serviced

Last service date

Service menu



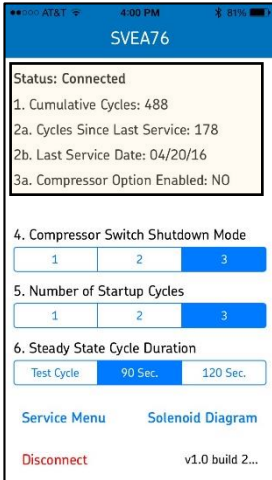
DRYAIR
SYSTEMS, INC.
A Fluid Power Controls Company

Office: 314.344.1114

Fax: 314.344.0677

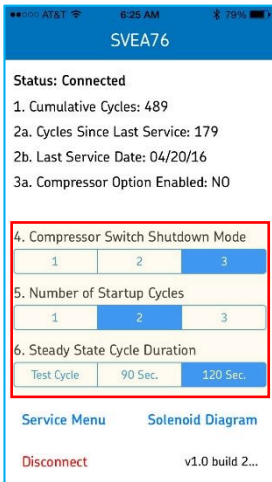
2655 Metro Blvd. Maryland Heights, MO.

www.dry-air-systems.com



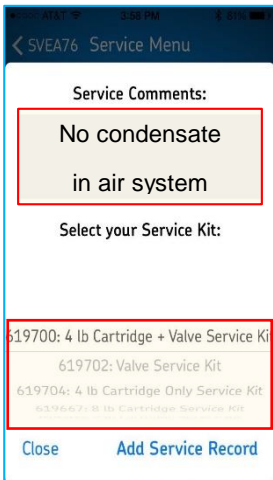
Select Purge Valve Records:

1. Total number of dryer cumulative cycles
- 2a. Number of dryer cycles since last serviced
- 2b Last service date
- 3a Verifies valve working in unison with compressor “YES” or “NO”



Select Purge Valve Can Be Programed For:

4. 1, 2 or 3 complete regeneration cycles after compressor stops pumping
5. 1, 2 or 3 quick 10 second cycles when compressor starts pumping
6. Test, 90 Sec. or 120 Sec. Cycles



Select Purge Can:

- Record your Service Comments e.g., no condensate in air system
- Display common service replacement components and kits
- Illustrates dryer cycles in sync with timed cycles
- Send text message service reminders and performance history



Office: 314.344.1114
 Fax: 314.344.0677
 2655 Metro Blvd. Maryland Heights, MO.
 www.dry-air-systems.com